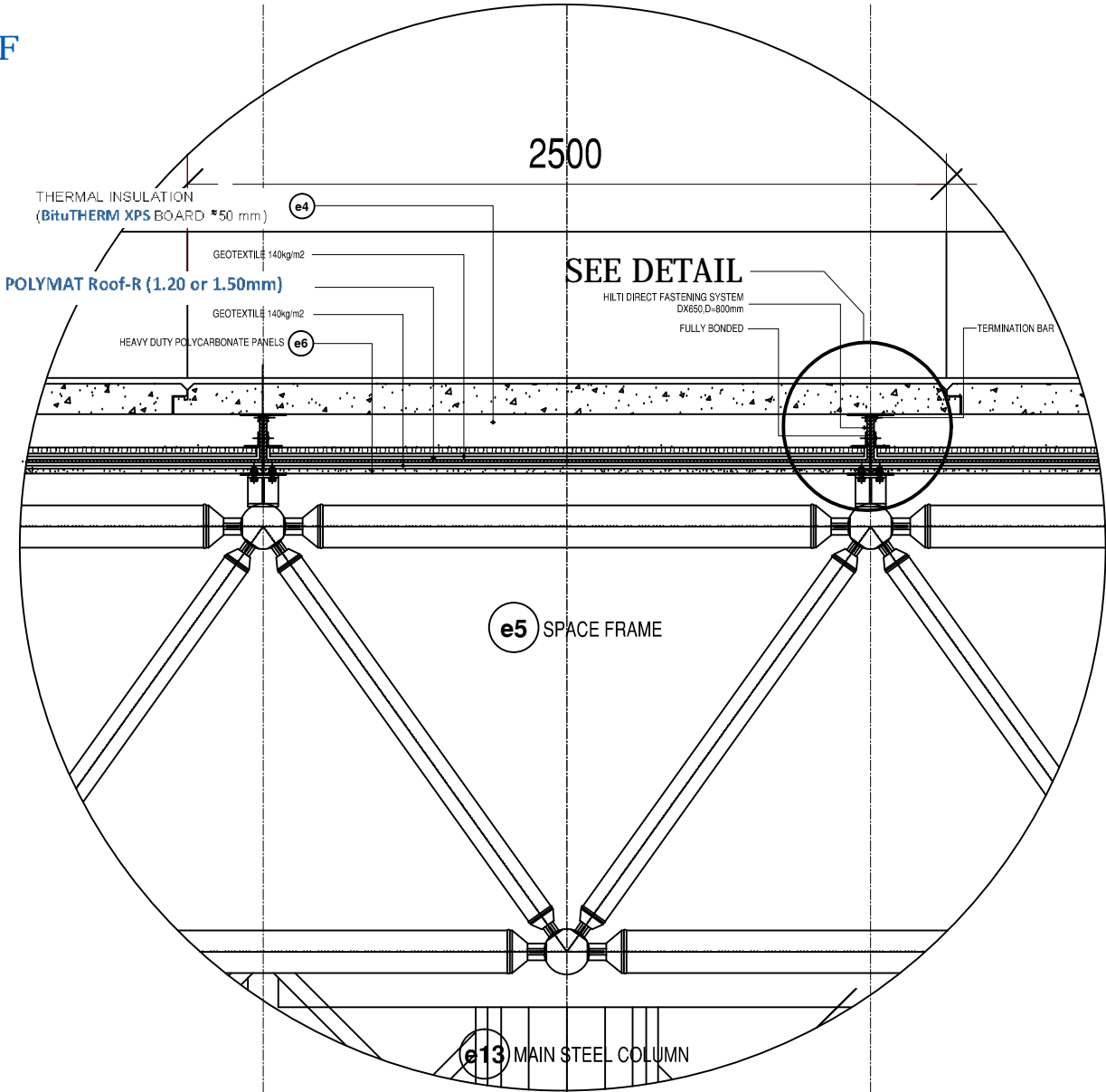


# POLYMAT ROOF



SCHEME 1



**BITUMAT COMPANY LIMITED**  
 P.O. Box 7487, Dammam 31462, Kingdom of Saudi Arabia  
 Tel. No. (+966-13) 8121210 / 8121213  
 Fax No. (+966-13) 8121190  
 Google Earth Address: 2608 34327-6935  
 Website: www.bitumat.com

THIS DRAWING IS FOR ILLUSTRATIVE PURPOSES ONLY OF PROFILES SHOWN IN OUR OFFICIAL CATALOGUE. ALL PROFILES MUST BE VERIFIED AND APPROVED BY THE AUTHORIZED REPRESENTATIVE OF BITUMAT BEFORE ANY ACTION IS TAKEN.

<b>DRAWING TITLE</b>
SAUDI RAILWAY (SAR) PROJECT PASSENGER STATION, RIYADH KINGDOM OF SAUDI ARABIA
<b>SHEET CONTENTS :</b> WATERPROOFING SYSTEM DRAWING

<b>REMARKS</b>
SCHEME 1 MS4 SPECIAL APPLICATION

<b>REVISION</b>	
0.0	DATE :

<b>DRAWN BY :</b>
<b>CHECKED BY :</b>
<b>DATE :</b>
<b>REF. NO.</b>

<b>DWG. No.</b>
S1-SD-1.a